

Intended use and indication

Our walking aids are designed for people with significant mobility impairment with impairment to movements, compromised balance and stability with sufficiently intact walking ability and coordination. They are used to maintain, promote and stabilise walking or to partially relieve the strain on the lower limbs. The walking aids can be used both indoors and outdoors. **It is imperative that the safety instructions are also observed!**

Contraindication

The use of walking aids is unsuitable if there is a loss of limb in both arms or joint contractures/joint damage in both arms.

General safety information

Do not hang any bags, pouches or other objects on the walking aid! The walking aid may under **no circumstances be used for any other purpose than that for which it is intended**, e.g. for lifting or moving objects or as a tool for switching light switches or pressing buttons on lifts! It is essential that the ground has a good grip to ensure a secure hold of the walking aid! Avoid wet floors or surfaces such as gravel, sand, foliage, ice or snow! **Pay attention to stumbling points** such as unevenness, holes in the floor, loose floor coverings or edges, because the walking stick can unexpectedly slip away or sink in! Extra caution is recommended when lighting conditions are insufficient, since irregularities in the ground can then only be seen with difficulty! When adjusting the push-button, it must protrude from the hole as far as it will go (Fig. 2)! The holes for adjusting the walking stick undergo a certain amount of wear. It is important to ensure that they are not worn out, as this would prevent the push button from locking securely. Prior to each use, make sure that all screw connections are firmly tightened!

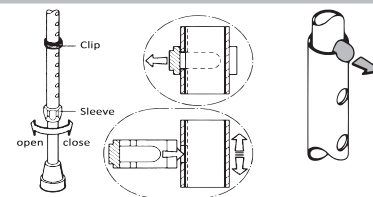


Fig. 1

Fig. 2

Adjusting the walking aid

Warning! Please contact your specialist dealer to ensure proper functional and ergonomic adjustment! Incorrectly adjusted walking aids may restrict the functionality of the walking aid or lead to overloading or incorrect loading of the patient! The walking aids are handed over to you as a patient in a proper condition, whereby they are individually adjusted to your body by your specialist dealer or health care specialist. If you have any doubts as to whether this is the case, please contact the responsible specialist personnel. The walking aid can only offer you the relief you desire if it is optimally adapted to your body size. **Adjustment:** The union nut must be loosened by approx. several times turn anticlockwise prior to adjustment (Fig. 1). Unlock the height adjustment by pressing in the push button or pushing out the clip. Adjust the length of the walking aid to your body size by pulling the support tubes out or pushing them together. Lock the height adjustment once again by aligning the tubes as such, that the two locking holes are on top of each other, whereby the push-button engages again. **Following adjustment, the union nut must be tightened again. Caution:** Risk of falling due to walking aids buckling when the height adjustment is not locked correctly! Check the correct locking after each adjustment by attempting to twist or move the walking aids!

Use

There are many different ways to use the quadruped walking aid and it all depends on the individual restrictions of the walking ability. Seek instruction in the use of the walking aids from your specialist dealer or health care specialist! Walking aids must not be used in water. Any penetrating water can lead to corrosion forming and consequently to an increased risk of breakage. Avoid prolonged contact of the walking aids with moisture. The walking aids must be dried appropriately when they come into contact with water. The correct handling of the walking aids takes some practice. We therefore recommend getting additional support from an assistant at the beginning. Always use the walking aids on the side opposite the injured leg or the leg that needs to be protected! Guide the walking aids close to the body, not at an angle facing outwards (Fig. 2)! You might fall otherwise! During use, grasp the handle(s) of the walking aid(s) completely and firmly with your hand! Always place the walking aids as straight as possible on the ground so that you do not slip away! Find chairs with armrests to sit on. You will then be able to support yourself on the armrests when standing up! Wear shoes that are as comfortable as possible with flat soles so that your leg can better withstand additional strain! **If you do fall:** if possible, let the walking aid fall to the side so that you do not fall onto it! Have someone accompany and support you if possible, so that they can catch you if you fall! Try and arrange for qualified personnel to instruct you in climbing stairs with a walking aid!

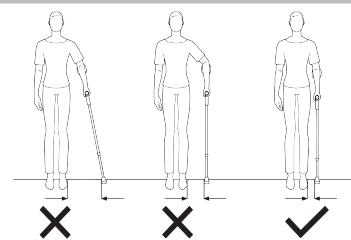


Fig. 3

Precautionary measure

Using a walking aid places an unusual amount of strain on individual parts of the body! This may result in the following undesirable side effects: The hands may encounter pressure or chafing! Keep in mind that this can lead to pain and overexertion at the beginning or during prolonged exertion! It is important to take sufficient breaks!

Storage and care

Never store the walking aids in the vicinity of heat sources such as furnaces, heaters or in places susceptible to heat in a car! Do not expose walking aids to sunlight for prolonged periods of time! Strong sun or heat damages the plastic! **The rubber buffer is a wearing part and must be replaced at regular intervals.** Walking aids must only be used again after an extended period of non-use following prior inspection by qualified personnel! **Warning!** Never clean handles and rubber caps using oily substances! There is a risk of slipping! In the event of contamination, clean the walking aids using a mild cleaning agent and a soft cloth where necessary. **Never** use cleaners containing solvents, since these will damage the plastic! **Note:** Should disinfection be required, then a suitable disinfectant agent should be used. Please follow the manufacturer's instructions for use.

Limitation of use

The walking aid must only be subjected to loads in accordance with the manufacturer's instructions. **Observe the maximum permissible body weight that is specified on the product!** Please contact your specialist dealer in the case of greater loads or in case of any doubts. Bent or damaged walking aids must not be used under any circumstances, since they can no longer offer the necessary stability! Bent walking aids must also not be straightened because of the risk of breakage! **Note:** All serious incidents that occur in connection with the product must be reported to the manufacturer and the competent authority of the Member State in which the user and/or the patient is located.

Re-use (rental) / duration of use

We shall only accept liability pursuant to the Product Liability Act for the initial placing of our products on the market. We only consent to reuse if we have first inspected the product. **The service life of the walking aids is limited to 2 years.** The user shall be responsible for the continued use of the walking aids after this time.

Warranty and liability

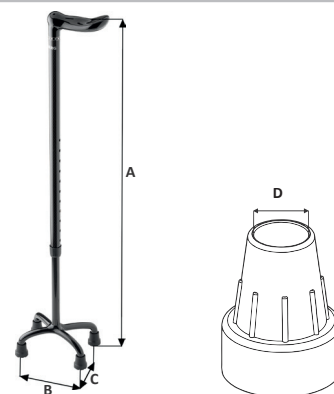
You have purchased a high-quality Ossenberg product. In the event of a justified material defect in spite of the highest quality standards, Ossenberg reserves the right, as part of a 12-month warranty, to either repair the defective item or replace it with a defect-free follow-up delivery, at its own discretion. Please note that stricter legal regulations are applicable to our finished products, in particular custom-made products. We shall not be liable for any damage caused by modifications to our products. The warranty does not cover defects attributable to wear and tear or improper handling. Wear parts are excluded from the warranty. Only original replacement parts and accessories must be used! Please contact your specialist dealer for replacement parts, accessories and repairs.

Disposal

Please consult your specialist dealer about the regional disposal regulations.

Technical data

REF		A	B	C	D	
2037	Carbon quadruped walking aid	69 cm- 94,5 cm	15 cm	10,5 cm	16 mm	100 kg
2038	Carbon quadruped walking aid	69,5 cm- 95 cm	19 cm	12,5 cm	16 mm	150 kg



Replacement parts

REF		
2037	Carbon quadruped walking aid	Art. 94816
2038	Carbon quadruped walking aid	Art. 94816

Accessories

The approved accessories for your walking aid can be found at: <https://shop.ossenberg.com/en/downloads-to-the-product/>



Symbol directory

Item number	Batch number	Read the operating instructions	Attention	This product complies with the requirements of Regulation (EU) 2017/745 (MDR).
Manufacture	Distribution by	Date of manufacture	Permissible body weight	Medical device

Ossenberg GmbH
Kanalstraße 79
48432 Rheine
GERMANY

Phone +49 (0) 59 71-9 80 46 0
Fax +49 (0) 59 71-9 80 46 16
Internet www.ossenberg.com
E-Mail info@ossenberg.com



This is a product according to the guidelines of the Medical Devices Directive. Furthermore the Ossenberg GmbH is certified according to DIN EN ISO 13485.
State 19.07.2021

DIN EN ISO 13485
REG.-NR. MQ1 0115318

You can find the latest instructions for use at:
<https://bilder.ossenberg.com/Dokumente/Downloads-zum-Artikel/Gebrauchsanweisungen/PDF/Instructions-for-use-carbon-quadruped-walking-aid-EN.pdf>