

TOMTAR®

TOMTAR G-2E

Walking frame with two settings:
rigid and reciprocal


User manual version: 1.0.2 EN

EN



Record of product identification data

We recommend making a note of your product identification data below so that you have these to hand if you have any queries about your product. All the data can be found on the product label (see "Product labelling").

TYP Type / model:	
REF Item No. / REF:	
UDI Serial number (21):	
 Date of manufacture:	
Other information/notes:	

* The identification data or product label may differ on custom-made devices

Thank you for purchasing the TOMTAR G-2E walking frame from DIETZ.

This product is a medical aid. In order to use it properly and avoid possible risks due to improper use, you must familiarise yourself thoroughly with its operation.

Read this user manual carefully before you begin using your product. It contains important notes and information that will enable you to enjoy the full technical benefits. In addition, it will provide you with information to help keep your product in safe working order while ensuring it retains its value for as long as possible.

If you have any questions or require additional

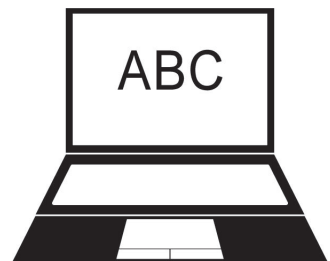
information, please contact the specialist retailer which supplied the product to you.

You will always find the latest information about your product on our website. For information or queries concerning product safety and on recalls, please contact DIETZ in writing or by telephone. You will find our contact information on the back of this user manual.



NOTE

A large-print version of the user manual is available for visually impaired persons at **www.dietz-group.de** in PDF format.



1 Important information		5 Technical specifications	
1.1 General information	6	5.1 Dimensions and technical information . . .	17
1.2 Intended purpose	6	5.2 Materials	17
1.3 Indications	6	5.3 Product tests	18
1.4 Contraindications	7	5.4 Ambient conditions	18
1.5 Symbols	7	5.5 Product labelling	18
2 Product description		6 Safety instructions	
2.1 Scope of delivery	8	6.1 Safety instructions	20
2.2 Reference diagram	9	7 Care and maintenance	
3 Preparing the walking frame for use		7.1 Servicing/maintenance	22
3.1 Unfolding the walking frame	10	7.2 Maintenance schedule	23
3.2 Height adjustment	11	7.3 Troubleshooting	23
3.3 Rigid or reciprocal function	12	7.4 Cleaning	25
3.4 Checking for correct assembly	13	7.5 Disinfection	26
4 Using the walking frame		7.6 Passing on the product for reuse	26
4.1 Using your walking frame / rigid	14	7.7 Storage	26
4.2 Using your walking frame / reciprocal . . .	15	7.8 Disposal	27
4.3 Folding the walking frame	16	8 Manufacturer's declarations	
4.4 Accessories and add-ons from third-party suppliers	16	8.1 Warranty	27
		8.2 Service life	27
		8.3 Liability	27

1.1 GENERAL INFORMATION

This user manual is included in the scope of delivery and forms an integral part of the product. The user should keep this manual to hand at all times and it must remain with the product if passed on to a third party. We reserve the right to make changes to the versions shown in this user manual as a result of further technical development. Reprints, translations and

reproductions of this manual in any form, whether in whole or in part, require the written approval of DIETZ GmbH.

The copyright is owned by the manufacturer. The latest version of the user manual can be accessed at any time by going to **www.di-etz-group.de**. Please read the user manual before assembling and using the product.

1.2 INTENDED PURPOSE

The TOMTAR G-2E walking frame is intended for use by persons with restricted mobility weighing up to 130 kg. Its purpose is to provide additional support and stability while standing and walking (one step at a time) and when learning to walk again. It is to be used when other walking aids are not sufficient.

It is only to be used in enclosed spaces without any steps and on a firm, level walking surface.

It is height adjustable and lightweight.

It is also preconfigured with two settings so that you can use it as either a rigid or a

reciprocal walking frame ("reciprocal" means that each side of the frame moves alternately).

It can be used both at home and in hospitals.

The walking aid is not suitable for children or for anyone who is less than 155 cm tall.

If you have a custom-made device it will have been labelled as such. In this case, the intended purpose may differ from the one specified in this manual and you should refer to the documentation supplied with the product.

1.3 INDICATIONS

Use of the TOMTAR G-2E walking frame is indicated for:

- ▼ Impaired mobility due to a restriction of the active or passive musculoskeletal system
- ▼ Coordination problems when walking

- ▼ Balance impairments
- ▼ Reduced load-bearing capacity

1.4 CONTRAINDICATIONS

Use of the TOMTAR G-2E walking frame is unsuitable in the case of:

- ▼ Perception disorders
- ▼ Severe balance disorders
- ▼ Inability to stand unaided
- ▼ User weights exceeding 130 kg

1.5 SYMBOLS

These symbols indicate passages of text that are helpful for using and operating the product in everyday life.



WARNING

It is mandatory to observe and comply with warnings. They draw your attention to the fact that failure to comply may result in injury and/or damage to the product or the environment. _____



NOTE

Tips and advice which make using the various functions easier. _____

2.1 SCOPE OF DELIVERY

Once you have unpacked the TOMTAR G-2E walking frame, check that it has been supplied with all of its parts and that it is not damaged. If the contents are noticeably damaged, inform the freight company immediately.

The following components are included in the scope of delivery of the walking frame:

- ▼ TOMTAR G-2E walking frame
- ▼ User manual



WARNING

Risk of poisoning: When burnt, packaging films can release toxic gases.

Risk of suffocation: Keep plastic bags out of the reach of children. _____

2.2 REFERENCE DIAGRAM



NOTE

The image above is designed to help you clearly identify the individual components of your walking frame. Therefore, please always refer to it when reading the user manual. _____

PREPARING THE WALKING FRAME FOR USE

The TOMTAR G-2E walking frame is delivered ready assembled.

To save space during transport, it is folded away. No tools are required to prepare the product for use.



WARNING

Risk of trapping! Be careful of your hands and fingers when unfolding the walking frame.

3.1 Unfolding the walking frame

1. Place a hand on each hand grip (Fig. 1).
2. Unfold both sides by swinging them out.
3. When you unfold the second side element (1, Fig. 2), it will make an audible clicking sound. This means that the folding lock (2 Fig. 2) has engaged. You can check this by peering into the plastic part of the folding lock from the side. The spring pin should be clearly protruding from the tube.
4. Once the lock has engaged, it should no longer be possible to fold in the side elements.

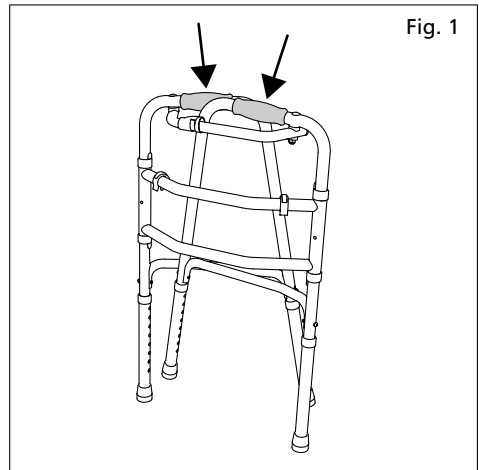


Fig. 1

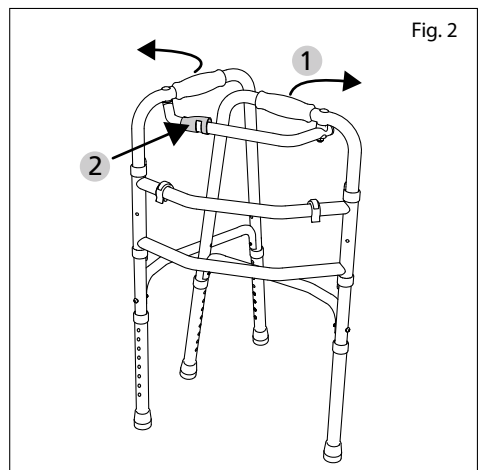


Fig. 2

3.2 Height adjustment

You can adjust the height of the TOMTAR G-2E walking frame to suit your own. The process described below must be carried out for all four legs of the walking frame.

1. Press in the spring pin of the first tube and twist the tube round very slightly so that it is free to move (Fig. 3).
2. You can then set the tube to the required height by sliding it up or down,
3. allowing the spring pin to engage in the appropriate hole. Make sure that you clearly hear the spring pin click into place and check that it is noticeably protruding from the hole.
4. Now repeat the process for the other three legs.
5. All four legs must be set to the same height.



WARNING

Tipping danger! All four legs must be set to the same height so that the walking frame does not tip over when you put your weight on it.

Danger of falling! The spring pins of all four legs must click securely into place once the height has been adjusted. Otherwise, the legs of the frame could accidentally collapse when you put your weight on it and you could fall. —

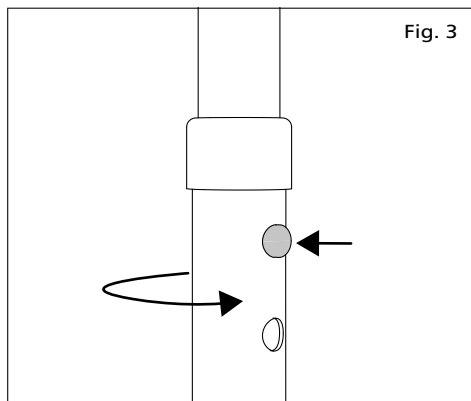


Fig. 3



NOTE

To enable correct use of the walking frame, it must be adjusted to your individual height. When you are standing upright with relaxed arms, the hand grips should be level with your wrists.

Your specialist retailer or health care professional will adjust the height for you. _____

3.3 Rigid or reciprocal function

This section describes how to adjust the TOM-TAR G-2E walking frame for use as a rigid or reciprocal walking frame.

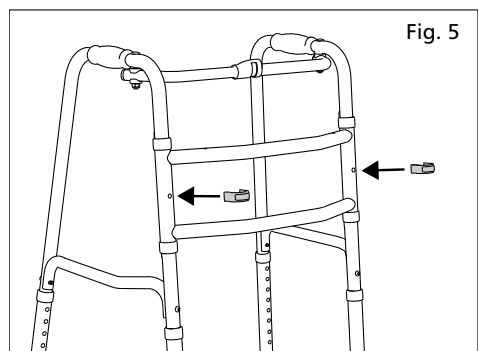
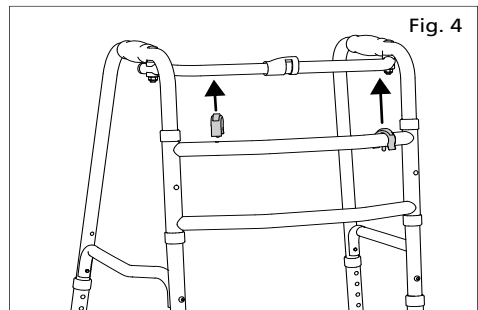
▼ **Reciprocal** (each side of the frame moves alternately)

This setting allows the walking frame to move reciprocally, i.e. the two side frame elements are moved forwards alternately one at a time (Fig. 7, Section 4.2).

▼ **Rigid**

With this setting, the walking frame remains rigid, i.e. both parts of the walking frame are moved forwards at the same time (Fig. 6, Section 4.1).

1. On delivery, the walking frame is set to the reciprocal function.
2. To change the walking frame to rigid mode, position yourself in front of it.
3. Remove the two clips from the crossbar by pulling them up and off (Fig. 4).
4. Make sure that both side elements are fully folded out at exactly the same angle.
5. There is a hole in the vertical connecting tube either side of the crossbar. Attach a clip on each side by inserting the metal pin into the hole.
6. Then apply pressure to the front of the clips so that they click into place in the hole (Fig. 5).
7. To switch back to reciprocal mode after using the rigid function, simply carry out the steps in reverse order.



3.4 Checking for correct assembly

Now check that the TOMTAR G-2E walking frame has been correctly assembled.

- ▼ The walking frame must stand securely upright on all four legs.
- ▼ The four spring pins of the legs and the spring pin of the folding lock must all be securely locked in place. For this to be the case, they must protrude slightly on the outside.
- ▼ Both clips must be securely attached to the walking frame at the correct points.
- ▼ All parts of the walking frame must be securely assembled.



NOTE

If you are unsure as to whether the walking frame is assembled correctly, please contact your medical supply store or an authorised specialist retailer. _____

USING THE WALKING FRAME

Familiarise yourself thoroughly with your TOMTAR G-2E walking frame before using it for the first time so that you feel safe and confident to do so.

Please be aware that the product has to be used in different ways according to whether it is in rigid or reciprocal mode. The first step is to set the walking frame to the relevant function. For details, see "Rigid or reciprocal function".

4.1 Using your walking frame when set to the rigid function

1. Position yourself inside the walking frame so that you can comfortably hold the hand grips, making sure you stand with your feet between the rear feet of the walking frame.
2. Always hold the walking frame firmly by wrapping your entire hand around each hand grip.
3. Ensure that you have a firm footing.
4. You can now lift up the walking frame and set it down slightly further in front of you (Fig. 6).
5. Make sure that you always set the walking frame down vertically with all four of its feet touching the floor.
6. Once you are sure that the walking frame is stable and standing on all four legs, you can start taking small steps forward until you are level with the rear feet of the walking frame again.
7. Rest for a moment before repeating the process.



NOTE

Try out your new walking frame with somebody else present (e.g. your carer).



WARNING

Safety hazard! Before using the walking frame, always check that it has been set to the correct function (rigid or reciprocal).



WARNING

Safety hazard! The product may only be used in enclosed spaces and on a firm, level walking surface.

Danger of falling! When using the walking frame, do not set it down too far in front of you.

Danger of falling! Do not lean/put your weight on the walking frame unless all four of its feet are in firm contact with the floor.

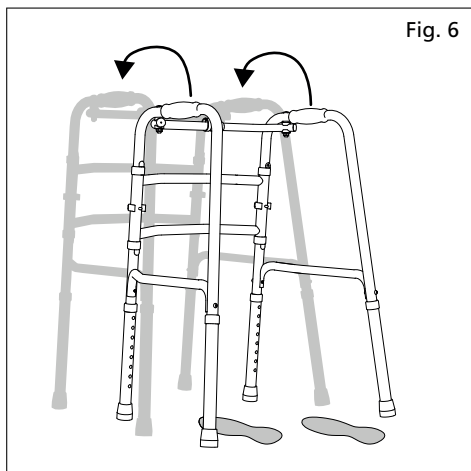


Fig. 6

4.2 Using your walking frame when set to the reciprocal function

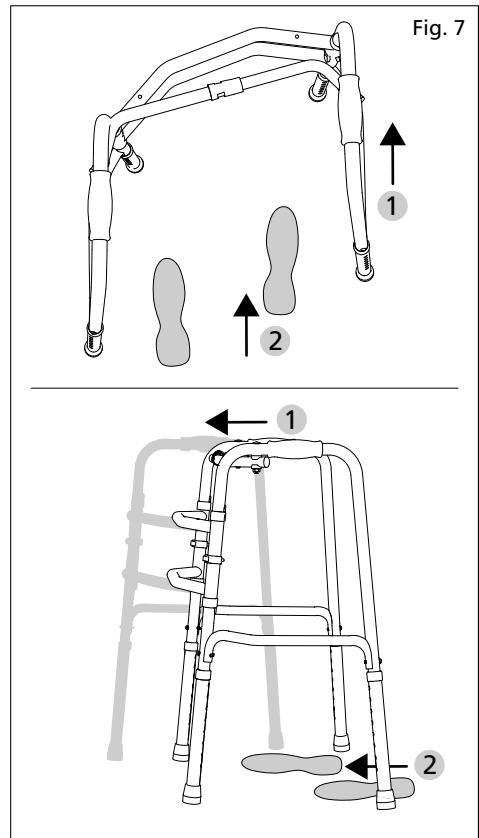
1. Position yourself inside the walking frame so that you can comfortably hold the hand grips, making sure you stand with your feet between the rear feet of the walking frame.
2. Always hold the walking frame firmly by wrapping your entire hand around each hand grip.
3. Ensure that you have a firm footing.
4. You can now move one side of the walking frame forwards (1, Fig. 7) by lifting it up slightly and setting it down a little further in front of you.
5. While this is happening, the other side remains firmly on the floor.
6. Once all four legs of the walking frame are in firm contact with the floor, you can take one step forwards on the same side as the part of the frame you have just moved (2, Fig. 7).
7. If necessary, rest for a moment before repeating the process with the other side of the walking frame.



WARNING

Safety hazard! The product may only be used in enclosed spaces and on a firm, level walking surface.

Danger of falling! Do not lean/put your weight on the walking frame unless all four of its feet are in firm contact with the floor. _____



4.3 Folding the walking frame

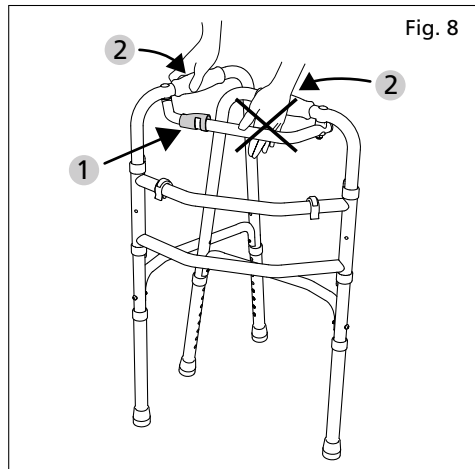
To store the TOMTAR G-2E walking frame without it taking up too much space, follow the instructions below.

1. Before the walking frame can be folded, it must be set to the reciprocal function (see also "Rigid or reciprocal function").
2. To release the side elements ready for folding, press the folding lock firmly (1, Fig. 8).
3. This will release the spring pin so that you can fold the side elements inwards (2, Fig. 8).
4. Take care not to get your fingers caught between the parts that are being folded.
5. The walking frame cannot stand up on its own when folded. Secure it to prevent it from falling over and sustaining damage.
6. To unfold the walking frame again, follow the instructions under "Unfolding the walking frame".



WARNING

Risk of trapping! Be careful of your hands and fingers when folding the walking frame. _____



4.4 Accessories and add-ons from third-party suppliers

In general, only original accessories from DIETZ GmbH may be used. The TOMTAR walking frame is not designed to have any accessories attached.

If third-party products are installed on the walking frame, responsibility for the safety of the product passes to the person who installs the accessories or add-ons. In this case, the installer or fitter must issue a new declaration of conformity for the combination of accessories and product or add-on and product. The declaration of conformity issued by DIETZ according to MDR 2017/745, Annex II is rendered null and void.



WARNING

Product safety! The safety of the product cannot be guaranteed if add-ons/accessories are sourced from/installed by anyone other than DIETZ. _____



WARNING

Product safety! If accessories or add-ons are fitted to the product, then the safety instructions in the user manual for the accessories or add-ons must always be observed. _____

5.1 DIMENSIONS AND TECHNICAL INFORMATION

Description	Unit	TOMTAR G-2E
Item number		200315
Dimensions: length / width / min. height	mm	490 / 650 / 760
Height (min. – max.)	mm	760 – 925
Dimensions when folded: length / width / height (standing/leaning)	mm	150 / 490 / 760
Weight	kg	2.8
Maximum user weight	kg	130
Recommended body height	m	1.55 – 1.80
Static stability, forwards (ISO 11199-1)	°	10
Static stability, sideways (ISO 11199-1)	°	3.5
Static stability, backwards (ISO 11199-1)	°	7
Height adjustment		8 increments of 25 mm
Maximum turning diameter	mm	700
Hand grip width / hand grip length	mm	37 / 110

5.2 MATERIALS

Material / colour	Details
Frame side elements	Aluminium tubing, bolted connections, anodised / black
Frame crossbar	Aluminium tubing, welded connections, powder-coated / grey metallic (Tomtar manganese grey)
Telescopic legs	Aluminium / anodised / black
Clips // end caps	Plastic, PE / orange // Plastic, PE / grey
Folding lock	Plastic, PP / black
Hand grips	Foam, EVA / black
Rubber pads	PVC / black

5.3 PRODUCT TESTS

Standard for walking frames (Zimmer frames)	EN ISO 11199-1
Biocompatibility	ISO 10993

5.4 AMBIENT CONDITIONS

Ambient temperature during operation	-10°C to +50°C
Ambient storage conditions	0°C to 45°C 20% to 75% relative humidity

5.5 PRODUCT LABELLING

The product label must always remain legible. In the case of the TOMTAR G-2E walking frame, it is located on the crossbar. See "Reference diagram".

If the product label is illegible or missing, have it replaced by your specialist retailer immediately.

The next page contains a table with a detailed explanation of all the symbols and information on the product label (Fig. 7). The product label also contains the serial number of your walking aid.

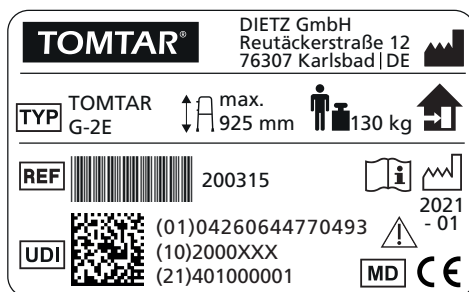















Fig. 7

	Trademark or brand
	TYPE / model
	REF = Item number
	UDI = Unique device identifier (01) UDI-DI (10) Batch number (21) Serial number
	Manufacturer / manufacturer's logo / contact address
	Maximum user weight
	Date of manufacture
	Maximum adjustable height
	The walking frame is intended exclusively for use indoors.
	Follow the user manual
	Caution! – Always follow the safety instructions in the user manual
	Medical Device
	The product conforms to Regulation (EU) 2017/745 on medical devices

Products that carry the label below (Fig. 8) are custom-made devices.

Custom-made devices are products which have been made specifically for a particular user. In this case, the product label, any warnings on the product and possibly also the intended purpose will differ compared to a standard device. It is essential to observe the additional documentation!

**SONDERANFERTIGUNG
CUSTOM-MADE DEVICE**

Fig. 8

6.1 SAFETY INSTRUCTIONS

When using the TOMTAR G-2E walking frame, always observe the following safety instructions to prevent falls, hazardous situations and damage to the product:

- ▼ The walking frame may only be used on a firm, level walking surface.
- ▼ The walking frame may only be used in enclosed spaces.
- ▼ Take particular care on flooring that is not anchored, such as rugs, which may slide around.
- ▼ The walking frame must stand securely upright on all four legs.
- ▼ Check that all parts of the walking frame are securely assembled prior to each use.
- ▼ Make sure that the spring pin of the folding lock is properly engaged prior to each use.
- ▼ Make sure that the walking frame has been set to the required function (rigid or reciprocal) prior to each use.
- ▼ Check that the spring pins have been set to the same height on all legs and locked in place prior to each use. Otherwise, the walking frame could accidentally collapse as soon as you put your weight on it, thereby creating a danger of falling.
- ▼ Avoid wet floors and those that slope upwards or downwards.
- ▼ Attention: Please note that shifts in balance caused by body movements may increase the risk of the walking frame tipping over. Always make sure the load on the walking frame is even!
- ▼ Always use the walking frame with both hands.
- ▼ Never hang any bags or other loads on your walking frame. There is a risk of it tipping over!
- ▼ Be careful of your fingers during assembly and when adjusting the height of the telescopic legs. There is a risk of getting them trapped!
- ▼ Be careful of your hands and fingers when folding the walking aid. There is a risk of getting them trapped!
- ▼ Never exceed the maximum user weight of 130 kg! This is stated on the product label of your walking frame.
- ▼ Do not expose the walking frame to prolonged periods of direct sunlight, sources of heat or low temperatures, as this could cause parts of the product (e.g. frame or grips) to become very hot (>45°C) or cold (<0°C), potentially causing injuries to the skin.
- ▼ Ensure that the walking frame is not left in the direct vicinity of emergency exits and escape routes in such a way as to block them.
- ▼ Never use the walking frame while under the influence of alcohol or other substances that can negatively affect your attentiveness and ability to react!

- ▼ Only use the walking frame for its intended purpose. Among other things, it must not be used as a standing aid to help you get up or as a means of transporting objects.
- ▼ Never stand on the walking frame.
- ▼ Never ram the walking frame into obstacles (whether forwards or backwards).
- ▼ Never sit on the crossbars.
- ▼ Do not use the crossbars as a means of support.
- ▼ The walking frame is not a toy and must be kept away from children.
- ▼ Do not use the walking frame to climb steps/stairs or to travel on an escalator. Take the lift instead!
- ▼ The walking frame must not be used in water, as this can damage it.
- ▼ Make sure you dry the walking frame if it gets wet.
- ▼ The walking frame must not be modified in terms of its structure or design. Otherwise, DIETZ GmbH will no longer be able to guarantee the safety of the product on grounds of liability.
- ▼ For the same reason, only original spare parts and original accessories are to be used.
- ▼ Serious incidents that occur in relation to the walking frame must be reported to the manufacturer and the responsible authorities!
- ▼ If you notice any functional problems with your walking frame, please take it to your authorised specialist retailer for repair immediately.
- ▼ Following storage periods of more than a year, the product must not be used again until all the inspections stipulated in the maintenance schedule have been performed.
- ▼ If your product is a custom-made device (see "Product labelling"), the additional documentation – including all safety instructions – must be observed in addition to the latest version of the user manual.

7.1 SERVICING/MAINTENANCE

We recommend performing the inspections listed in the maintenance schedule at regular intervals to ensure that the TOMTAR G-2E walking frame is always safe to use.

Improper or insufficient product care and maintenance will result in restricted liability on the part of the manufacturer.

The maintenance schedule does not provide any information on the amount of work that will actually need to be performed on the product.



NOTE

As the user, you will be the first to notice any damage. If you notice a fault as described in the maintenance schedule or further defects and functional impairments, contact an authorised specialist retailer immediately. _____



WARNING

To maintain the operational safety of the product, repairs must only be performed by specialist shops using DIETZ original spare parts. The relevant spare parts catalogue can be found on our website under the information for the product concerned. _____



NOTE

Unless otherwise stated, the inspections and measures stipulated in the maintenance schedule must be performed by the user or their care assistant. _____




NOTE FOR SPECIALIST RETAILERS

If the user reports product abnormalities, please check all the inspection points listed in the maintenance schedule. The checks must also be performed after longer storage periods (>4 months) and whenever the product is going to be re-used. _____

7.2 WALKING FRAME MAINTENANCE SCHEDULE

What to check	Description	Monthly	Before use
Hand grips: Stability	The hand grips must not be missing, damaged or have come loose from the tube.	x	
Spring pins: Function	<ol style="list-style-type: none"> 1. The spring pins must push in when you apply pressure so that the leg height can be adjusted easily without any issues. 2. The spring pins must make a clearly audibly noise as they click back into place. 	x	
Walking frame legs: Function & safety	<ol style="list-style-type: none"> 1. The height of the legs must be easy to adjust on the walking frame when the spring pins are pushed in. 2. The tubes must not be bent or show any other signs of damage. 	x	
Frame: Function & stability	<ol style="list-style-type: none"> 1. The frame must not be bent or show any other signs of damage. 2. The holes in the frame for the spring pins must not be badly worn. If the holes are worn out, the spring pins are not guaranteed to lock securely in place! 3. When the frame is set to the rigid function, the different parts of the frame should not move/swivel/pivot very much in relation to each other. 4. When the frame is in reciprocal mode, it should move reciprocally without any issues. 	x	
Rubber pads: Function & stability	<ol style="list-style-type: none"> 1. All four rubber pads must be resting firmly on the walking surface. 2. All four rubber pads must be securely connected to the frame and must not show any signs of excessive wear or other forms of damage. 		
Clips: Function & stability	<ol style="list-style-type: none"> 1. It must be possible to attach the orange clips securely to the frame tubes. 2. The orange clips with the metal pins must not be damaged. 	x	

What to check	Description		
Folding lock: Function & stability	<ol style="list-style-type: none"> 1. The orange plastic part of the folding lock must be securely connected to the frame. 2. The orange plastic part must push down easily so that the spring pin of the folding lock can be pressed. 3. The orange plastic part must not be damaged. 4. It must be easy to fold the walking frame once the pin of the folding lock has been released. 5. When it is unfolded again, the folding lock must make an audible clicking noise. Once the lock has engaged, it must no longer be possible to fold the frame. 	x	
Entire walking frame: Function & damage	<ol style="list-style-type: none"> 1. The frame must not be damaged or cracked. 2. The frame must not be bent. If the tubes of the frame are bent, you must not attempt to straighten them. 3. Functional damage or surface damage must be rectified. 4. The product label must not be missing/must be clearly legible. 		x
Visual inspection: Loose parts, fractures, corrosion or other damage	 <p>If this type of damage is detected, the walking frame must no longer be used, as safe use is no longer guaranteed!</p>		x
Dirt: Entire walking frame:	<p>The entire walking frame must be cleaned based on how dirty it is, but at least once a month (see "Cleaning").</p>		x

7.3 TROUBLESHOOTING

What	Possible causes	Measures
The height of the telescopic legs changes without you wanting it to.	The spring pins are not correctly engaged.	Engage the spring pins in the holes at the correct height, making sure that they audibly click into place and noticeably protrude from the holes.
	The spring pins are defective and are no longer capable of engaging correctly.	Consult an authorised specialist retailer.
	The holes in the legs are worn, with the result that the spring pins can no longer engage correctly.	

What	Possible causes	Measures
The walking frame is not resting on the floor with all four feet.	The walking surface is not level.	Only use the walking frame on a clean, firm and level walking surface.
	A stone or some other small object has got stuck in the rubber pads.	Remove all dirt and foreign materials from the rubber pads.
	The frame is bent.	Consult an authorised specialist retailer.
	The rubber pads are not securely connected to the frame or are damaged.	
The frame of the walking aid is inherently unstable.	The walking frame has been set to the reciprocal function. In this mode, the side elements can be moved parallel to one another.	Set the walking frame to the rigid function.
	The spring pins of the legs or folding lock are defective, with the result that they cannot engage correctly.	Consult an authorised specialist retailer.
The hand grips of the walking frame do not provide a good grip for the user.	The hand grips are damaged, worn or loose.	Consult an authorised specialist retailer.

7.4 CLEANING

- ▼ To clean the product, regularly wipe the frame of the walking aid with a damp cloth.
- ▼ If the product is very dirty, you can use a mild detergent and warm water.
- ▼ Remove all dirt, stones and similar forms of soiling from the rubber pads.
- ▼ Only ever use standard mild cleaning and disinfection products to clean the product.



WARNING

Material damage: Do not use high-pressure cleaners, strong, corrosive chemicals or scouring agents for cleaning purposes.

After cleaning, ensure that all materials are fully dry in order to preserve their quality.

Detailed information on disinfection can be found in the following section.

7.5 DISINFECTION

When manually reconditioning a used aid for reuse, all of the components must be thoroughly treated/wiped with a disinfectant. Take particular care to disinfect surfaces that come into frequent contact with hands/skin, such as the hand grips.

Please only use the following disinfectants (use of other chemicals might damage the product):



WARNING

Material damage: Observe the use and processing instructions issued by the cleaning agent/disinfectant manufacturer. _____

- ▼ Aldehyde-free, alcohol-based disinfectants (max. 70% propyl alcohol)

7.6 PASSING ON THE PRODUCT FOR REUSE

Your product is suitable for transfer to/reuse by others, unless it is a custom-made device and marked accordingly. The number of times it can be reused depends on the material wear conditions and the functional capabilities of the respective product.

When passing on the product for reuse, please remember to hand over all the technical documents necessary for safe handling and use to

the new user or the specialist retailer.

Before it is reused, the product must be cleaned, disinfected, checked for damage and approved by a specialist retailer.

As part of this, all the inspection points listed in the maintenance schedule must be checked on the product.

7.7 STORAGE

If you wish to store the product, ensure that it is kept in a dry place protected against direct, strong sunlight and at a temperature of 0°C to +45°C.

Make sure that there is no risk of the walking frame falling over and its surfaces being damaged as a result.



WARNING

Do not store the product near a heat source and do not place any objects on the product during storage. _____

After longer periods of storage (>4 months), please check all the inspection points on the product as listed in the maintenance schedule before reusing/redeploying the product.

7.8 DISPOSAL

If you no longer need the product, please contact your specialist retailer. They will then pick up the product and either dispose of it properly or make further use of it. Otherwise, please take the product to your local recycling facility.

8.1 WARRANTY

The warranty covers all product defects which are verifiably attributable to material or manufacturing flaws. The warranty period is 24 months as of receipt of notification of readiness for shipping, but following delivery at the latest. The warranty does not cover damage which has

occurred due to natural wear and tear, or has been caused deliberately or through negligent or improper operation or use. This also applies to the use of unsuitable care products, lubricating oils or greases.

8.2 SERVICE LIFE

The product has an expected service life of five years when used daily and exactly as intended. This assumes compliance with the maintenance

and safety instructions stipulated in this manual. The indicated service life does not constitute any kind of additional warranty.

8.3 LIABILITY

DIETZ GmbH only bears liability if the products are used under the specified conditions and for the specified purposes. It is very important to handle and care for the products properly as per the instructions.

DIETZ GmbH is not liable for damage caused by components and spare parts that have not been approved by DIETZ GmbH. Repairs must only be carried out by authorised specialist retailers or by the manufacturer itself.

TOMTAR®



Product group: Walking aids

Product: TOMTAR G-2E

User manual version: 1.0.2 EN

Last update: 2022-07 (MFZ)

DIETZ GmbH

Reutäckerstrasse 12

76307 Karlsbad

Germany

Tel.: +49 7248.9186-0

Fax: +49 7248.9186-86

info@dietz-reha.de

www.dietz-group.de

TOMTAR is a registered trademark belonging to DIETZ GmbH.

TOMTAR products are sold by DIETZ GmbH.

Misprints and errors excepted. Prices and products subject to change without notice.
© DIETZ GmbH, Karlsbad
Not to be reproduced, whether in part or in whole, without the written permission of
DIETZ GmbH, Karlsbad.