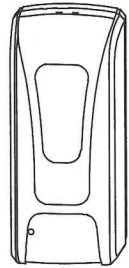


SENSOR FOAM SOAP DISPENSER INSTALLATION

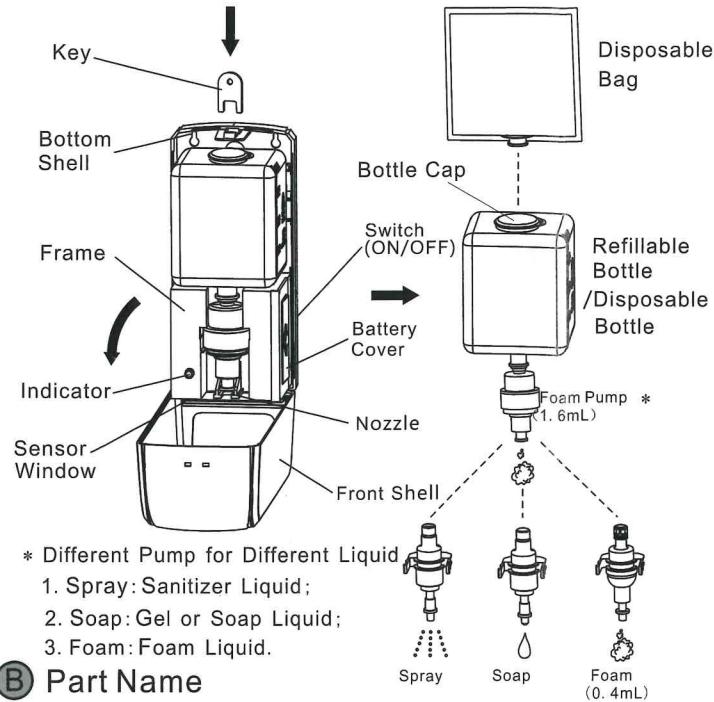


1X *

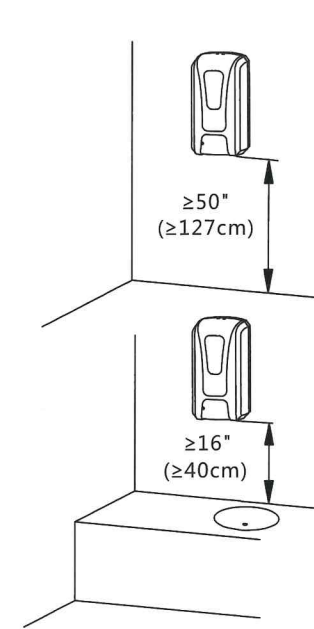


* we have different shape but same installation.

A Packing List

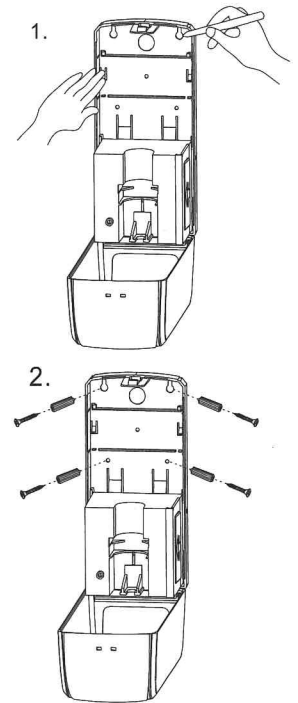


B Part Name

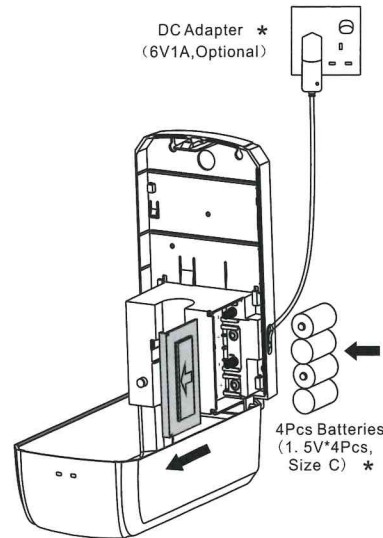


* keep away from sunshine and humid place

C Height from Floor/Table

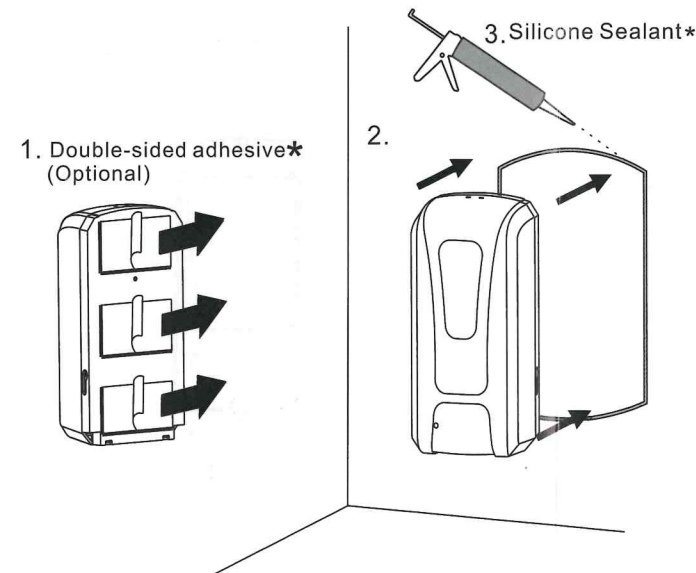


D Way for Screw



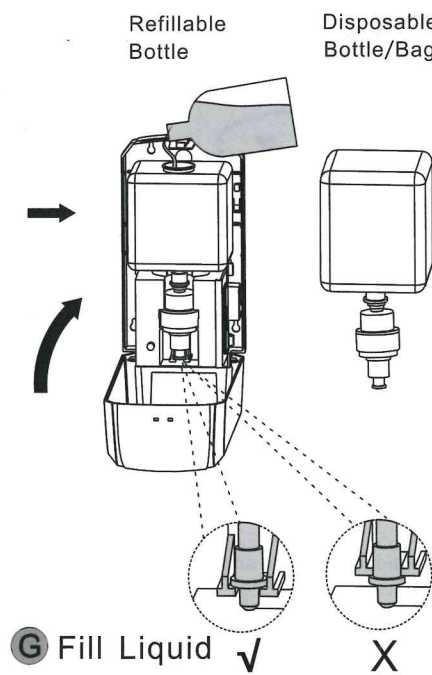
* The Standard Packing is not including DC Adapter and Batteries

E Install Batteries/DC Adapter

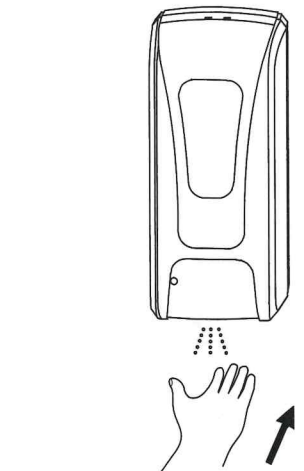


* The standard Packing is not including Double-sided adhesive and Silicone sealant

F Installation with Adhesive Backing (no screws)



G Fill Liquid



• LED Light:

1. green color 5 seconds flush: working condition
2. red color 5 seconds flush: low power for battery, and change;
3. red color 2 seconds flush: something under sensor and remove it;

• Infrared sensor (non-contact)

H Enjoy hand sanitizing